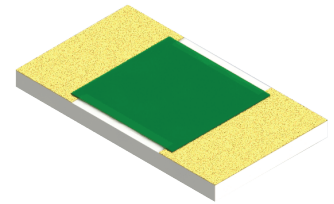


RS1408JA-XXXXFN-95 Features:

- Single-Sided Terminal Configuration
- Epoxy Mount or Wirebondable
- Customer Defined Testing Available
- RoHS Compliant
- Waffle Pack Available (Standard is Bulk)
- 1% Resistor Tolerance



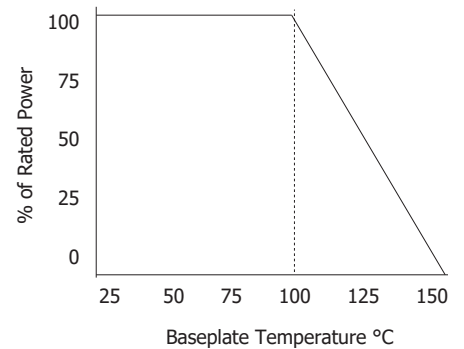
RS1408JA-XXXXFN-95 Parameters:

Resistance Range:	0.5Ω to 1MΩ
Rated Power:	10W*
Construction:	Thick Film on BeO
Terminal Metallization:	Gold over Platinum Palladium Gold
TCR:	±300PPM
Dielectric Constant (Substrate):	6.7
Operating Temperature:	-55 to +150°C

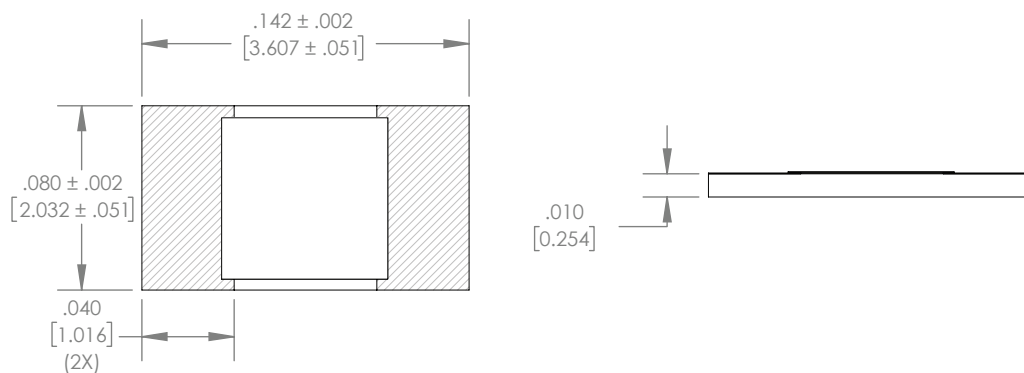
■ Actual Size

* Rating based on ≤100°C constant baseplate temperature

RS1408JA-XXXXFN-95 Power Derating Curve



RS1408JA-XXXXFN-95 Dimensions:



Dimensions in inches [mm]
Tolerance is ± 0.010 [0.254] unless otherwise stated

Ordering Information:

RS	1408	JA	- XXXX	F	N	-	95	UU
Prefix for Single-Sided Resistor			Value Code Examples	Tolerance	Normal Inspection		Substrate	Packaging
Size	1408		10R0 - 10Ω 1500 - 150Ω 50R0 - 50Ω 5000 - 500Ω 1000 - 100Ω 1001 - 1KΩ	F - 1%	Contact factory for additional options		95 - 0.010" BeO	Blank - Bulk WP - Waffle Pack
Terminal Metallization			RoHS	Magnetic	Solder		Epoxy	Wirebond
JA - Au over Platinum Palladium Gold			Yes	No	No		Yes	Yes

Barry Industries reserves the right to change part number and/or process without notification.

RS1408JA-XXXXFN-95 Reliability Specifications:

Parameter:	Test Condition:	Results:
Short Time Overload	Apply 1.1x Rated Power for 5 Seconds.	≤ 5.0% Resistance Shift
Rated Load Life	Apply 1/2 Power Under 40°C ±2°C 90 Minutes on/ 30 Minutes off. Repeat for 100 hours	≤ 5.0% Resistance Shift
Moisture Resistance	MIL-PRF-55342 para 4.8.9 95% RH, 25°C - 65°C	≤ 5.0% Resistance Shift
Resistance to Soldering Heat	MIL-STD-202 Method 210 and MIL-PRF-55342 Para 4.8.8.1	≤ 5.0% Resistance Shift
Resistance to Bonding Exposure	MIL-PRF-55342 Para 4.8.8.2	≤ 5.0% Resistance Shift
Solderability	MIL-PRF-55342 Para 4.8.12	>95% Covered
High Temperature Storage	125°C ±2°C for 500 Hours	1.) ≤ 5.0% Resistance Shift 2.) No Significant Abnormality (Visual)
Thermal Shock	-65 to +125 30 Minutes Dwell, 5 Cycles	1.) ≤ 5.0% Resistance Shift 2.) No Significant Abnormality (Visual)

Barry Industries reserves the right to change part number and/or process without notification.